

TM250 SERIES

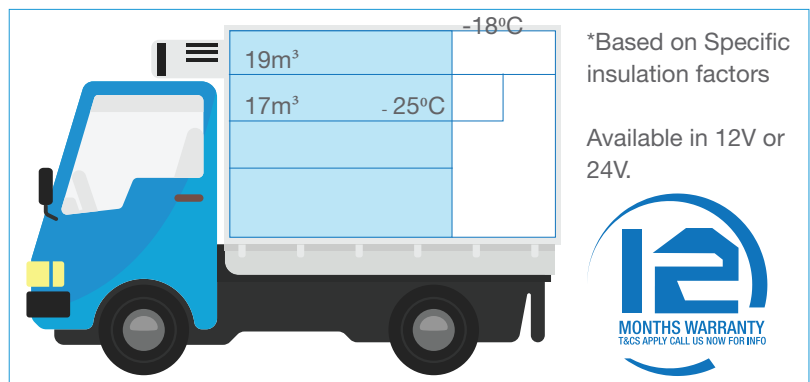
REFRIGERATION TRANSPORT SYSTEM

TM-250 Series by Thermal Mark is designed for fresh, frozen and deep frozen applications on medium sized trucks.

The compressor is driven by the truck engine. Integrated 240v electric standby model available upon request, (OED) Off Engine Drive supplied as standard.

FEATURES & BENEFITS

- » **Optimum Performance**
for superior cooling & less fuel consumption
- » **High Capacity & Airflow**
to ensure even temperature distribution
- » **Exceptional Pull-Down**
Capacity after regular door openings
- » **Low Operating Noise**
allowing unrestricted deliveries in residential areas
- » **Intelligent & User Friendly**
control system with digital in-cab display
- » **Electric Standby**
240v
- » **Affordable Reliability**
knowing your unit will have a long life cycle at a small cost



Refrigerant Temperature		Road Operation TM-250II	Electric Operation TM-250 ESC
°C		kW	kW
R-404a	1.7	4.34	3.22
	-17.8	2.34	1.81
	-29	1.51	1.22
Specifications	Condenser Dimensions (mm/ WxDxH)		
	Road Operation TM-250II		Electric Operation TM-250 ESC
	1153 x 430 x 372 - 32kg		1220 x 620 x 327 - 124kg
	Evaporator Dimensions (mm/ WxDxH)		
860 x 585 x 328 - 29kg			